

# Custom Chevy Pick Up Bed Fenders

MPR.001

**Title:** A Rear Step-side Truck Fender Design

**Inventor:** Malcolm P. Reid

A rear step-side truck fender designed to fit on a 1950's pickup truck.

**Figure 1** is a front view of the fender design.

**Figure 2** is a top view of the fender design.

**Figure 3** is a top perspective view of the fender design.

**Figure 4** is a right-side profile view of the fender design.

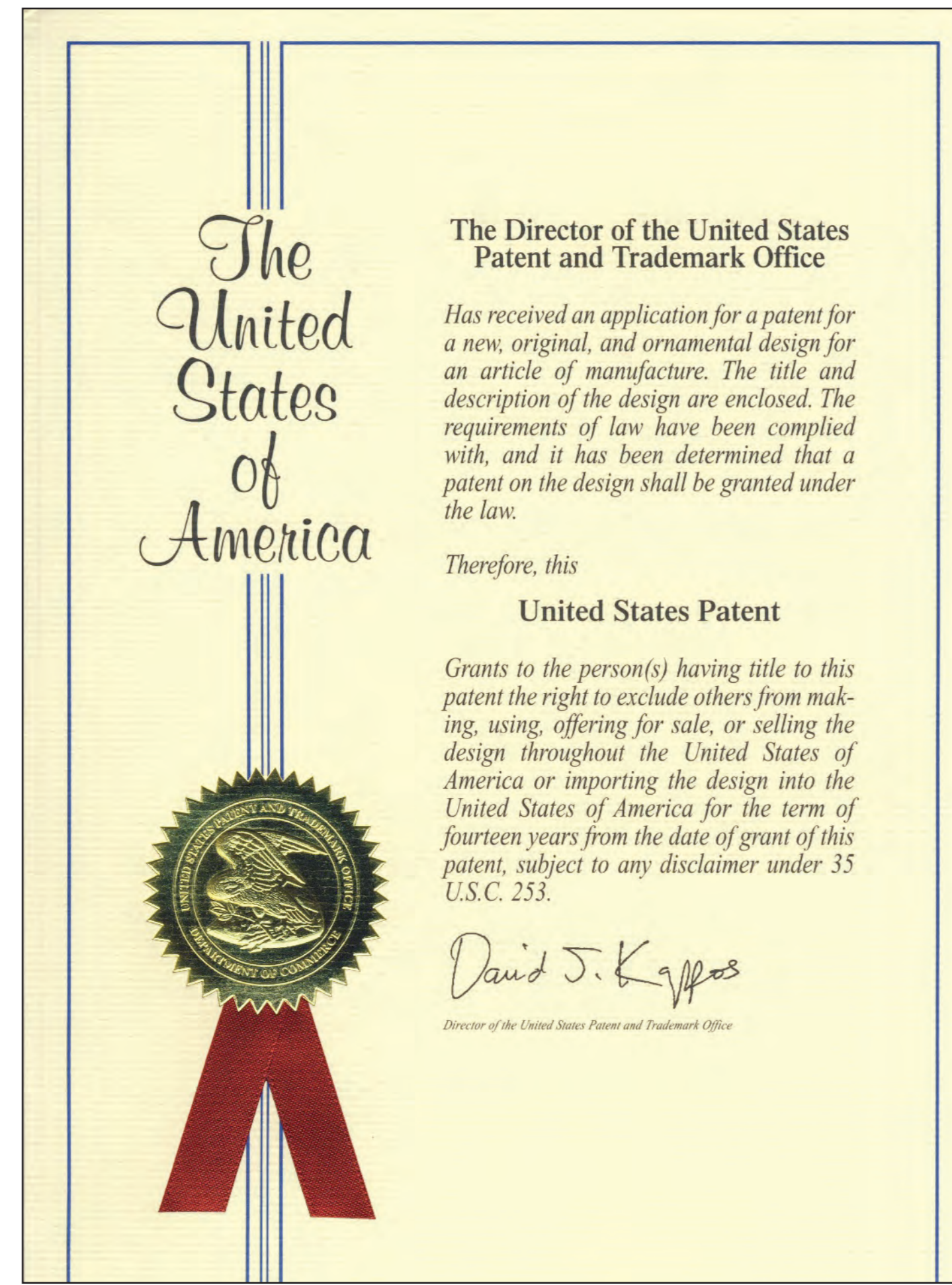
**Figure 5** is a right-side perspective view of the fender design.

**Figure 6** is a left-side profile view of the fender design.

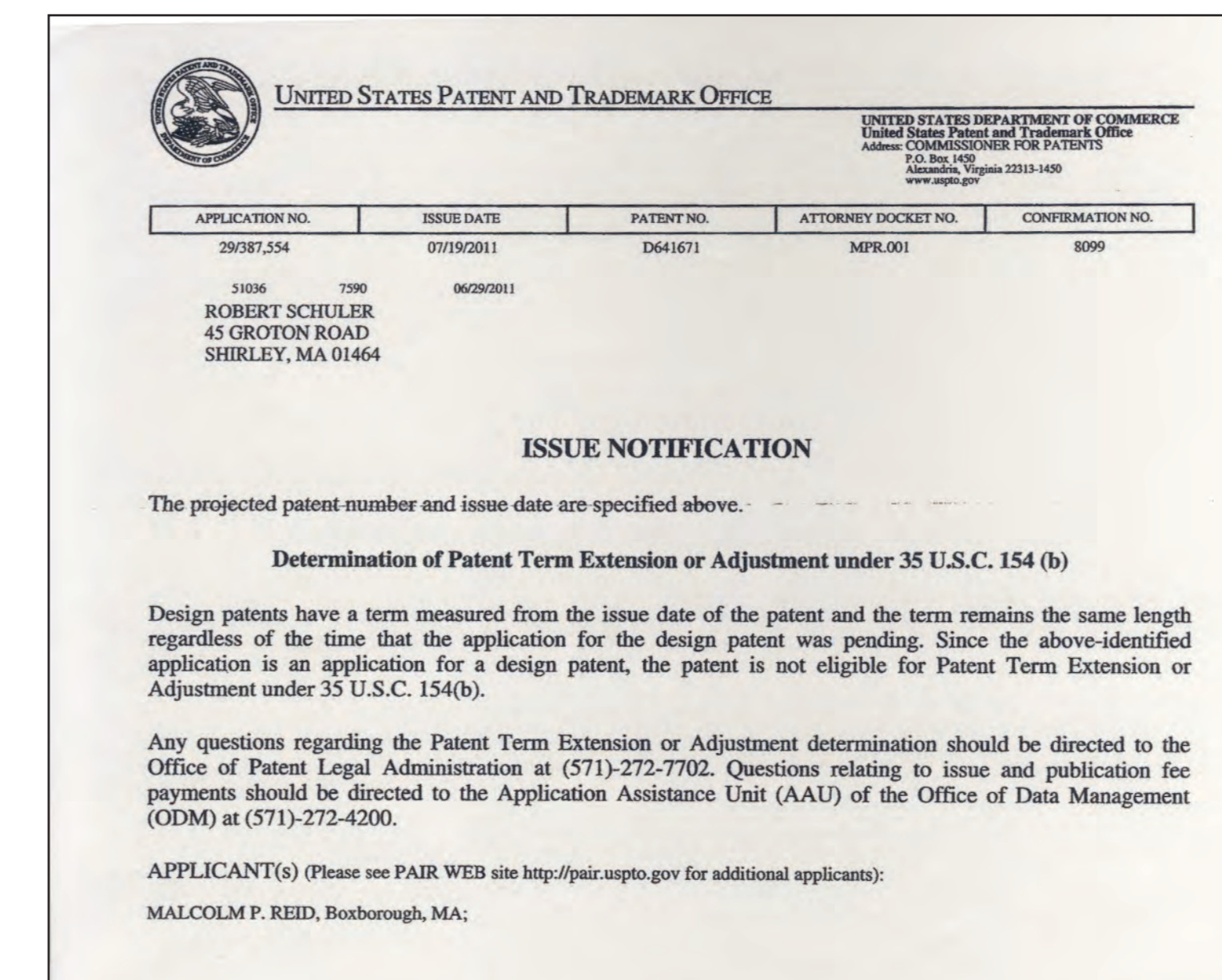
**Figure 7** is a left-side perspective view of the fender design.

**Claim:** The ornamental design of a rear step-side truck fender, as shown and described.

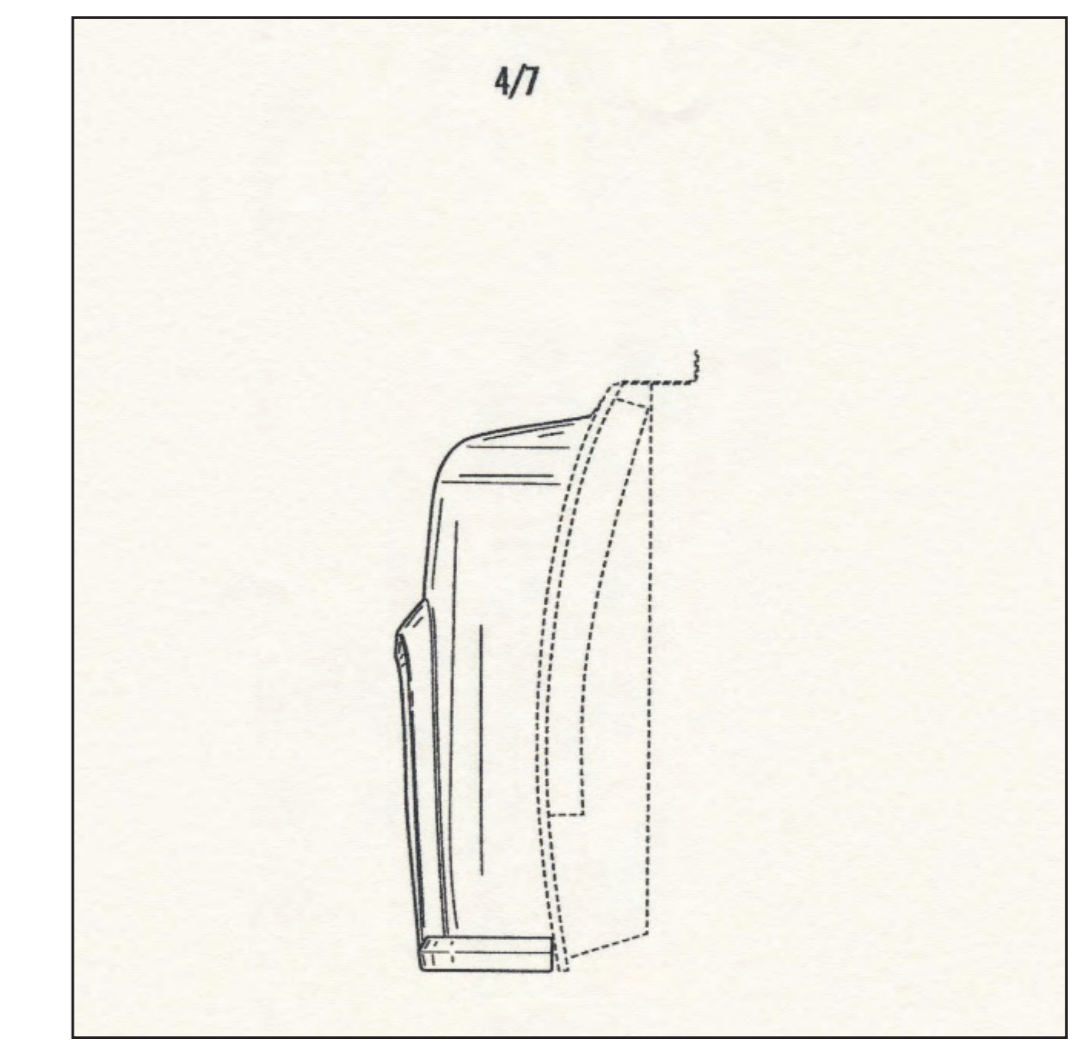
## List of drawings for patent application



US Patent award - #US D641,671 S



US Patent notification



Drawing # 4



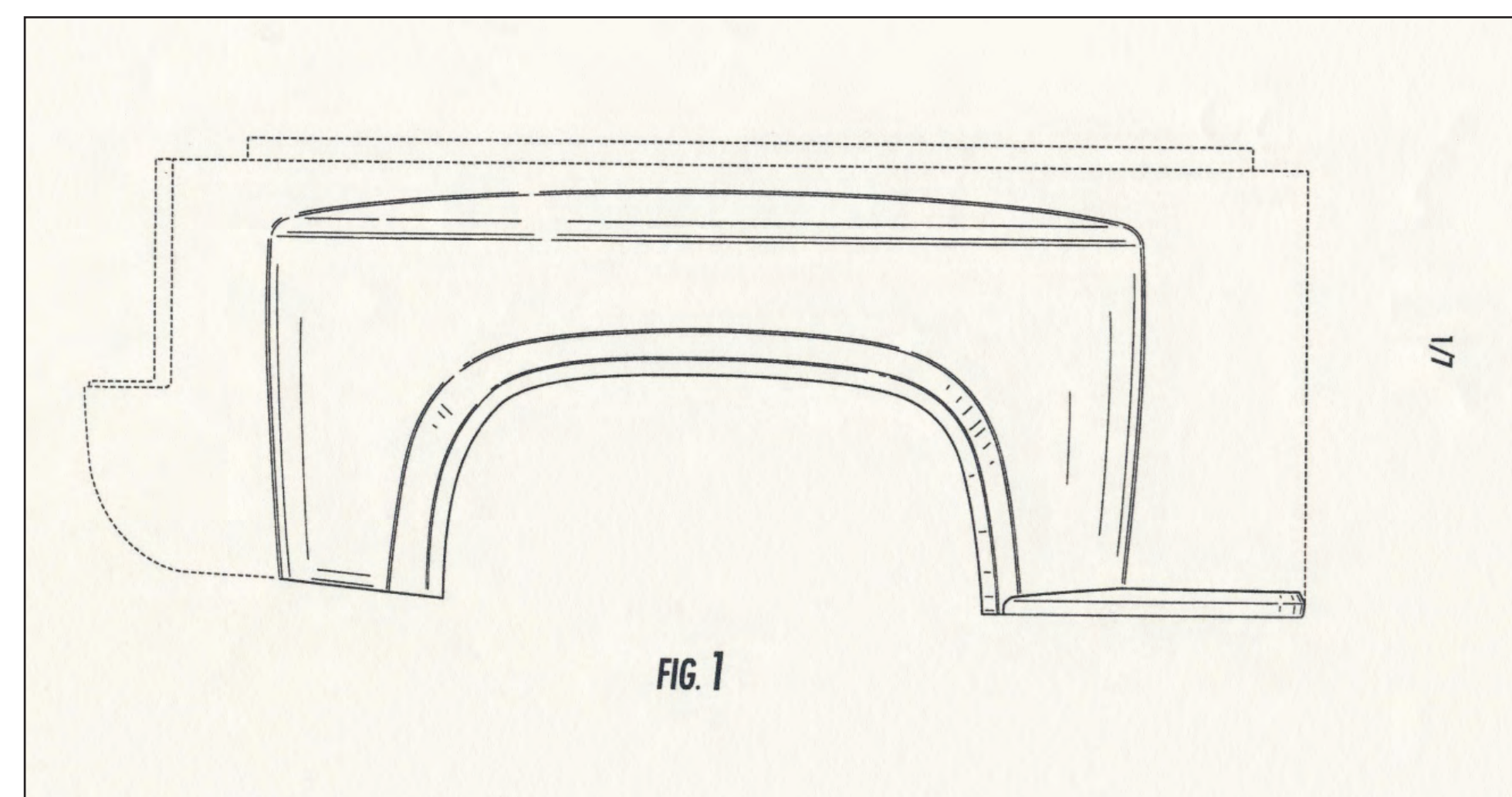
Reid as "inventor" & Schuler as "processor"



Five replicated pieces to complete fender set



Drawing #5



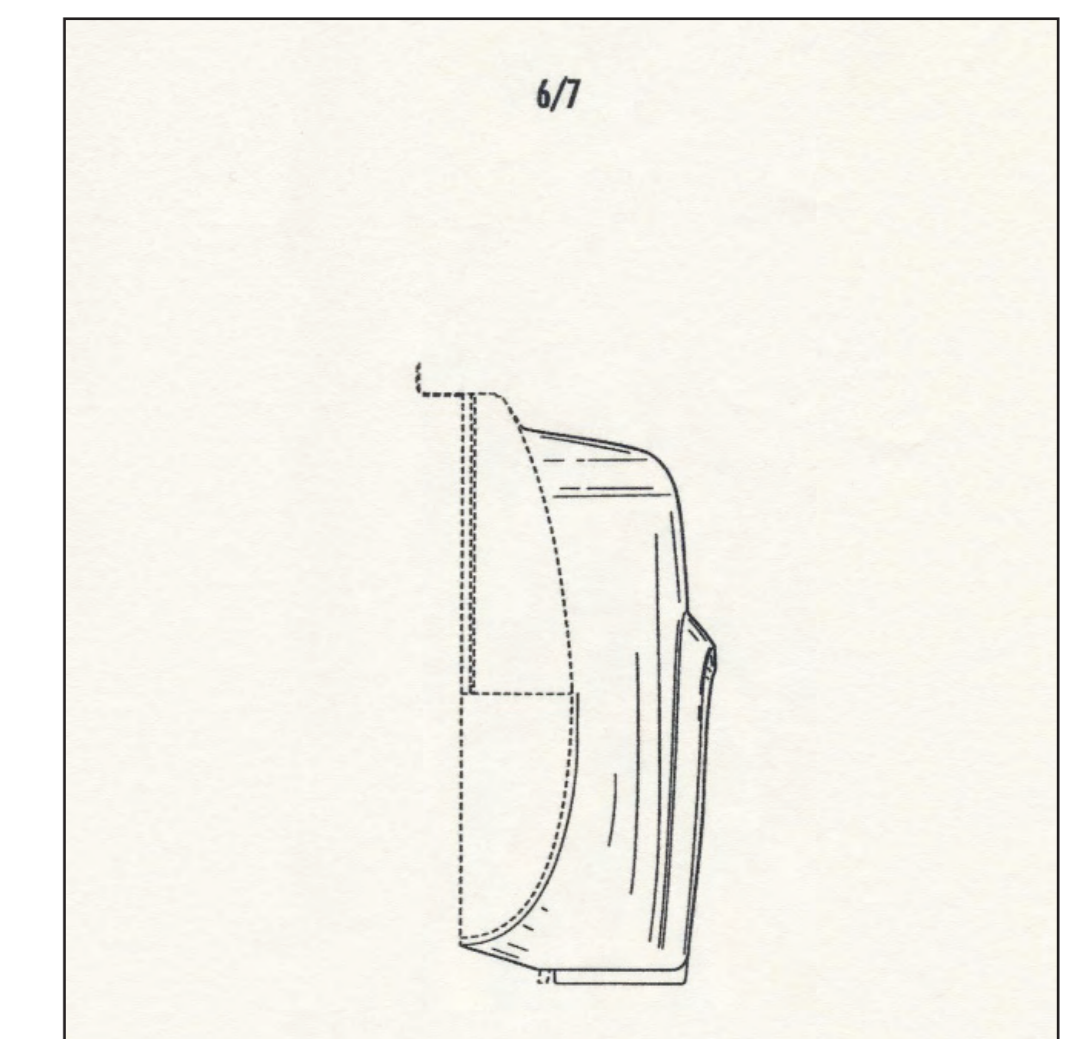
Drawing #1



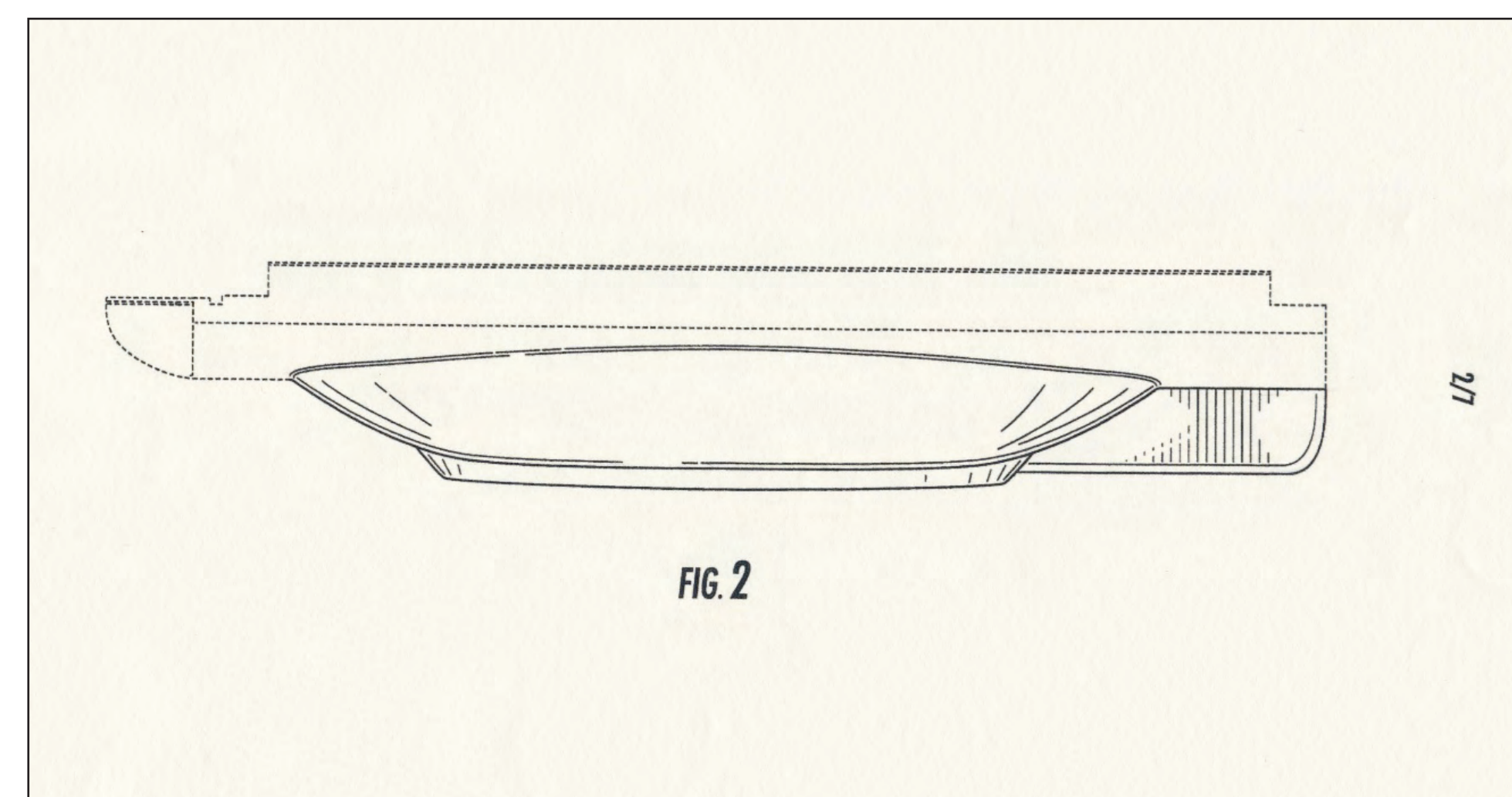
Modifying original fenders



Modifying original fenders



Drawing #6



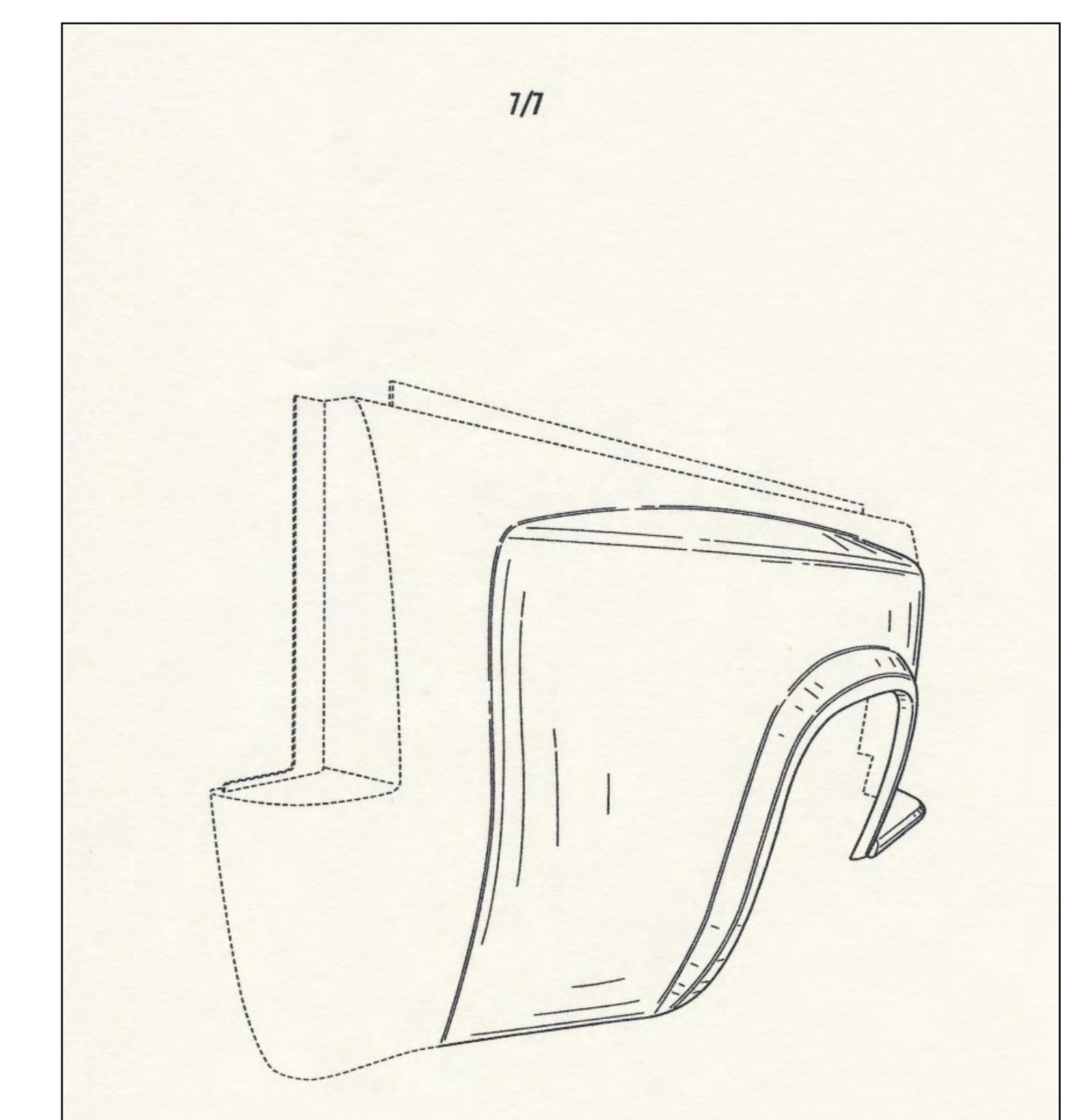
Drawing #2



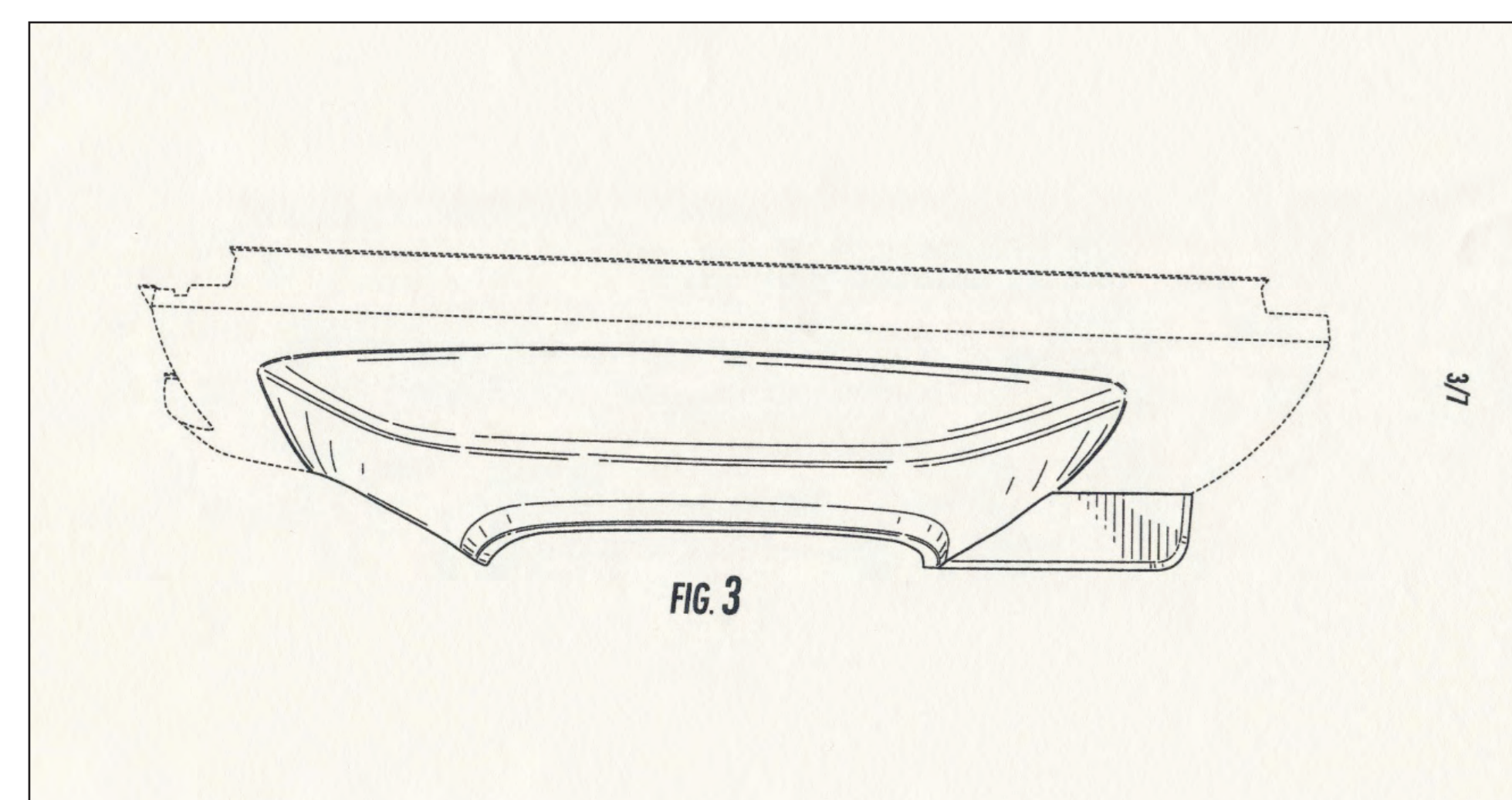
Final results on a 1955 Chevy pick up



Final results on a 1955 Chevy pick up



Drawing #7



Drawing #3